

DynaScan

DS752LR4



75" ULTRA HD HIGH BRIGHTNESS 3500 NITS LCD

The DS752LR4 is an Ultra-HD 75-inch high brightness LCD featuring a 3500 nit sunlight viewable image. The DS752LR4 has been designed for large scale display applications in bright environments such as outdoor enclosures and storefront windows.

With TrueColor Calibration, every screen is individually color calibrated to the D65 color standard for unparalleled color quality and ensures uniformity among multiple displays.

The DS752LR4 features an integrated Android™ based media player with WiFi offering users a complete media platform, allowing playback of local files and USB/SD card media.



SUNLIGHT VIEWABLE



3840 x 2160 RESOLUTION



ANDROID OS



POLARIZED LENSES OK



PORTRAIT & LANDSCAPE

APPLICATIONS

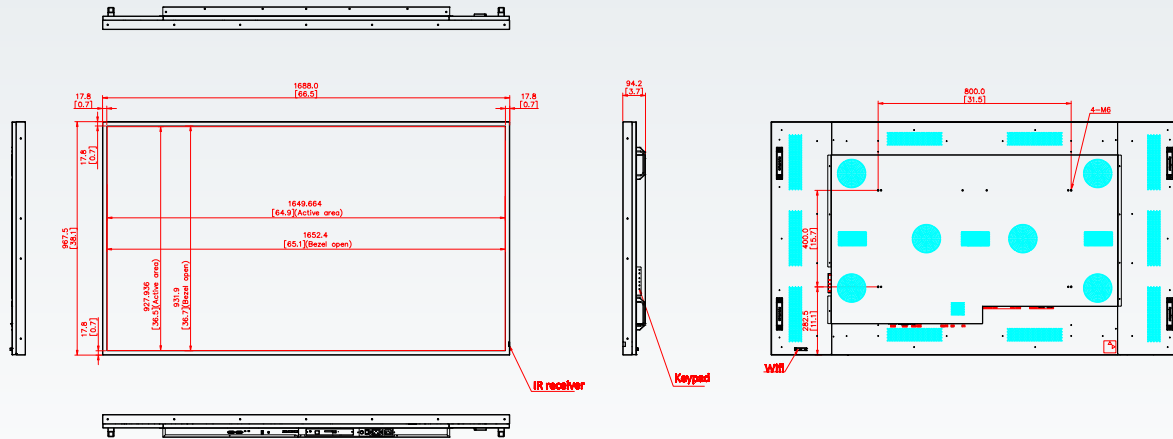
- STORE FRONT WINDOWS
- TRANSPORTATION
- FINANCIAL INSTITUTIONS
- OUTDOOR ENCLOSURES
- DIGITAL ADVERTISING

ULTRA HIGH BRIGHT
SERIES

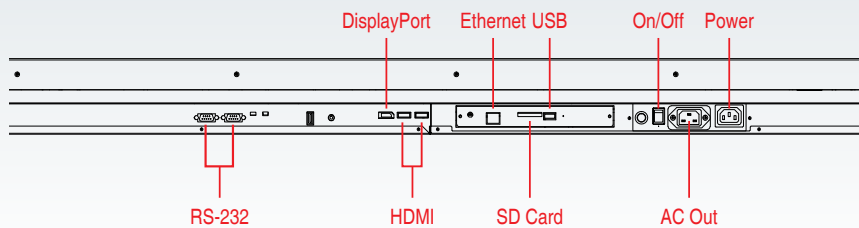
SPECIFICATIONS

PANEL	LCD Panel Type	75 inches LCD
	Native Resolution	3840 x 2160
	Backlight	LED
	Brightness	3500 nit (typical)
	Default Color Temperature	D65 (6500 K)
	Contrast Ratio	3,000:1
	Color Depth	10 bit
	Color Gamut	72% NTSC
	Response Time	8 ms (typ)
	Viewing Angle	178° / 178°
	Light Life Time	100,000 hrs (typ.)
	Blackening Defect Free	Up to 110°C (230°F)
	Panel Surface	Haze 3%, 2H, QWP
POWER	Power Supply	Internal
	Rated Voltage	100 V ~ 240 V, 50 Hz / 60 Hz
	Power On Mode	420 W (typ), 800 W (max)
MECHANICAL	Bezel Width (T/B/L/R)	18.6 / 18.6 / 17.8 / 17.8 mm
	Cabinet Color	Black
	Monitor Dimension (LxHxD)	1688 x 967.5 x 94.2 mm [66.5" x 38.1 x 3.7"]
	Monitor Weight (set/package)	60 kg / 68 kg [132.3 lb / 149.9 lb] (TBC)
	VESA Mounting (dimension)	800 x 400 mm
	Orientation	Portrait / Landscape
USER INTERFACE	Language	English
	Proof of Image Retention	Yes
	Dimming Control (DCR)	Yes
	On/Off Scheduling	Yes
	Ambient Light Sensor	Yes
	External Control	RS-232 (In), RJ45
	Internal Temperature Sensor	Yes
Built-in IR Sensor	Front	
I/O PORTS	HDMI 2.0	In (x2) [HDCP]
	DisplayPort	In (x1)
	RS-232	In (x1), Out (x1)
	RJ-45	(x1)
	Audio	Out (x1)
	USB 2.0	In (x1), Service Port (x1)
	SD Slot	(x1)
	Mini USB	In (x1) (optional ESK only)
ENVIRONMENT	Operating Temperature	0°C ~ 45°C (32°F ~ 113°F)
	Storage Temperature	-20°C ~ 60°C (-4°F ~ 140°F)
	Humidity	10% ~ 80% RH Non-condensing
ACCESSORIES	Included	Power Cable, Remote Controller (with batteries), QSG
CERTIFICATION	CE / FCC / ROHS	

DIMENSIONS



INTERFACE



INTERNAL PLAYER

INTERNAL PLAYER	Operating System	Android 7.1
	Processor	ARM Cortex-A17 1.6 GHz, Quad-Core
	Clock Speed	1.6GHz
	Main Memory Interface	2GB DDR3
	Graphics	Mali764
	Storage (FDM)	8GB eMMC Flash
	Multimedia	4K VP9/H265/H264 video decoders, up to 60fps, 1080P other video decoders (VC-1, MPEG-1/2/4, VP8) 1080P video encoder for H.264 and VP8



FEATURES



Sunlight Viewable Image

With a brightness rating of 3500 nits, the display can easily be viewed in direct sunlight applications.



Blackening Defect-free

High Tni panel prevents blackening when exposed to high temperatures.



Viewable with Polarized Lenses

Utilizes quarter-wave plate technology to allow for viewing with polarized sunglasses.



24/7 Operation

Designed for worry-free round-the-clock operation.



TrueColor™ Calibration

Every display is factory calibrated to the D65 CIE color standard to product a natural looking image.



Thermal Management

Heat generated by the display is radiated away from high temperature areas.



Automatic Brightness Control

A light sensor measures the ambient light in the area and automatically adjusts the image accordingly.



Brightness & Color Guaranteed

Guaranteed color and brightness degradation of no more than 9% over 5 years of continuous use.